

## RECESSED PULL

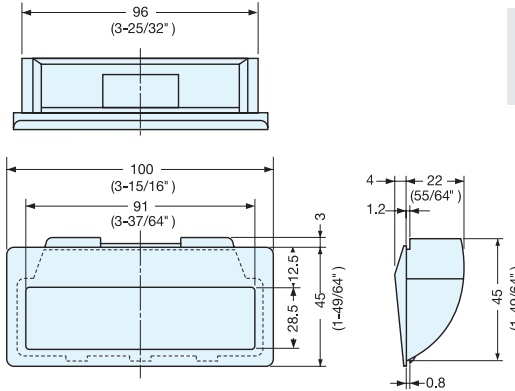
## AT-100



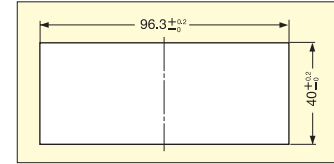
AT-100-B



AT-100-I



- Snap-in type recessed pull for sheet metal thickness 0.8mm.



Cut Out Dimensions  
(Panel thickness: 0.8mm)

| Item No.  | Weight (g) | Box (pcs) | Carton (pcs) |
|-----------|------------|-----------|--------------|
| AT-100-I  | 23         | 50        | 250          |
| AT-100-BR |            |           |              |
| AT-100-B  |            |           |              |

| Material | Color      |
|----------|------------|
| ABS      | Ivory (I)  |
|          | Brown (BR) |
|          | Black (B)  |

## RECESSED PULL

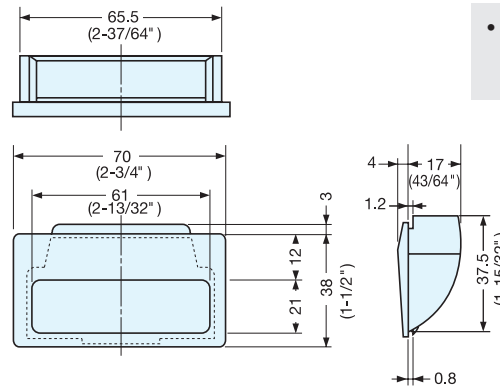
## AT-70



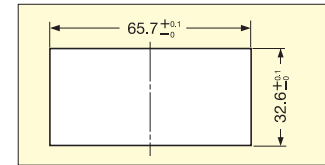
AT-70-B



AT-70-I



- Snap-in type recessed pull for sheet metal thickness 0.8mm.



Cut Out Dimensions  
(Panel thickness: 0.8mm)

| Item No. | Weight (g) | Box (pcs) | Carton (pcs) |
|----------|------------|-----------|--------------|
| AT-70-I  | 12         | 100       | 550          |
| AT-70-BR |            |           |              |
| AT-70-B  |            |           |              |

| Material | Color      |
|----------|------------|
| ABS      | Ivory (I)  |
|          | Brown (BR) |
|          | Black (B)  |

## RECESSED PULL

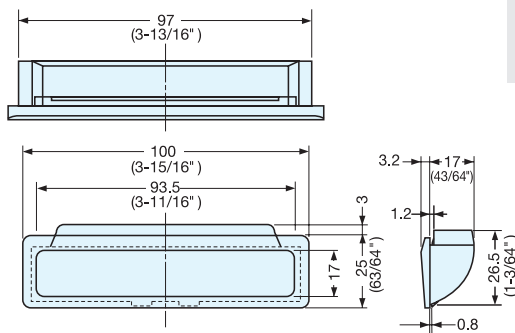
## ATS-100



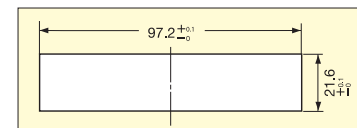
ATS-100-B



ATS-100-I



- Snap-in type recessed pull for sheet metal thickness 0.8mm.



Cut Out Dimensions (Panel thickness: 0.8mm)

| Item No.   | Weight (g) | Box (pcs) | Carton (pcs) |
|------------|------------|-----------|--------------|
| ATS-100-I  | 12.5       | 100       | 550          |
| ATS-100-BR |            |           |              |
| ATS-100-B  |            |           |              |

| Material | Color      |
|----------|------------|
| ABS      | Ivory (I)  |
|          | Brown (BR) |
|          | Black (B)  |